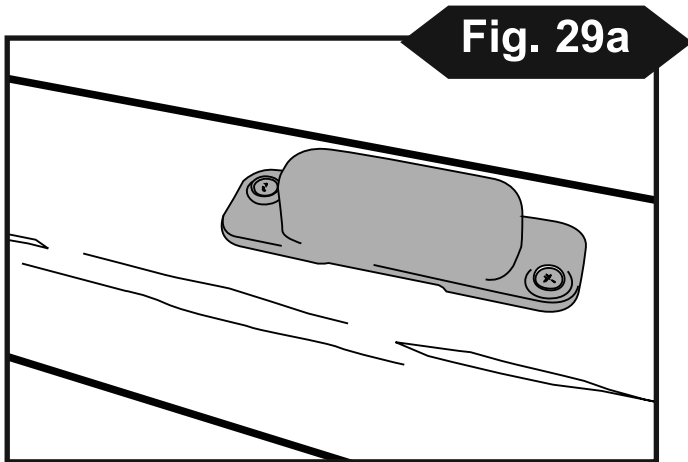
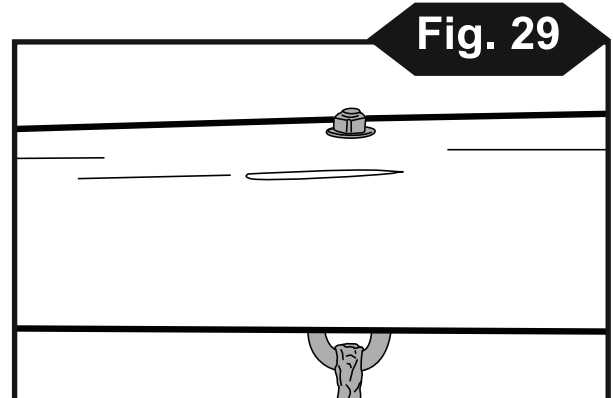


# Pirate's Ladder

1. Bolt Pirates Ladder to top 4" x 4" support at 3 locations as shown using (3) 3/8" loc nuts and (3) 3/8" flat washers (**Fig. 29**).

**Note:** Refer to (**Fig. 21**) for accessory arm placement.



2. Attach bolt covers over loc nuts at all three locations using (2) 1-1/2" deck screws each, as shown in (**Fig. 29a**).

3. Using two rope staples to secure the bottom of each Pirate's Ladder rope. Tap two staples in place approximately 1" apart. Wrap the rope under the 4" x 4". Then thread the rope through both staples. Double the rope back on itself and through the first staple. Pull the rope tight and secure in place by pounding staples in place. See (**Fig. 29b**).

4. Repeat for remaining Pirate's Ladder rope ends.

